

EVOS

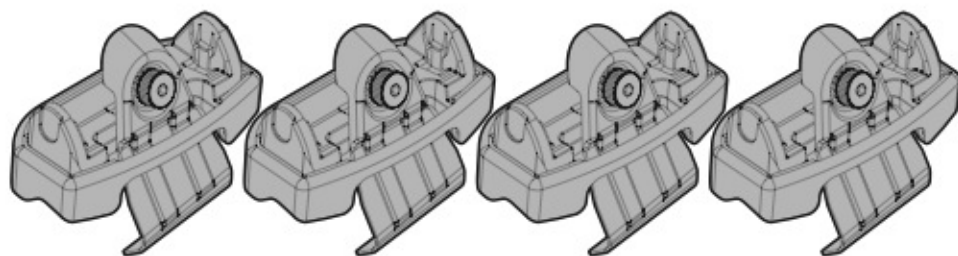
NORDRIVE®

TRANSPORT SOLUTIONS

FORD KA+

10/16 →

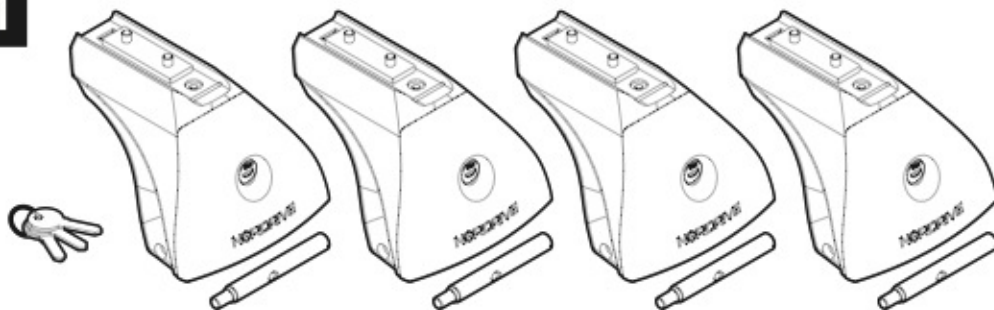
Art. N21210



C

+

Art. N20001



B

+

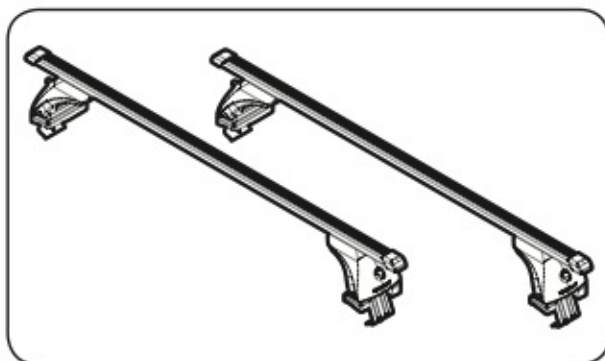
Art. N15020 **M**



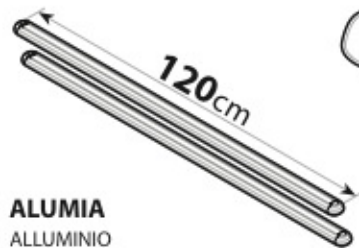
A

QUADRA
ACCIAIO
Steel

=



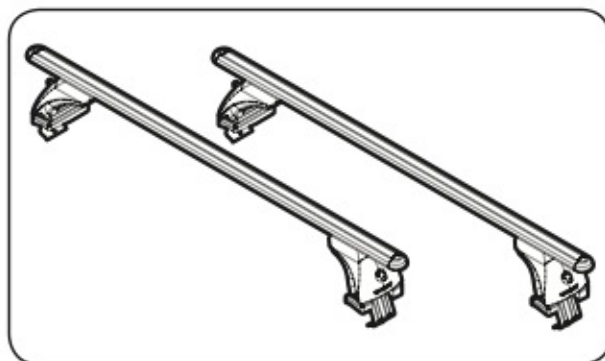
Art. N15025 **M**






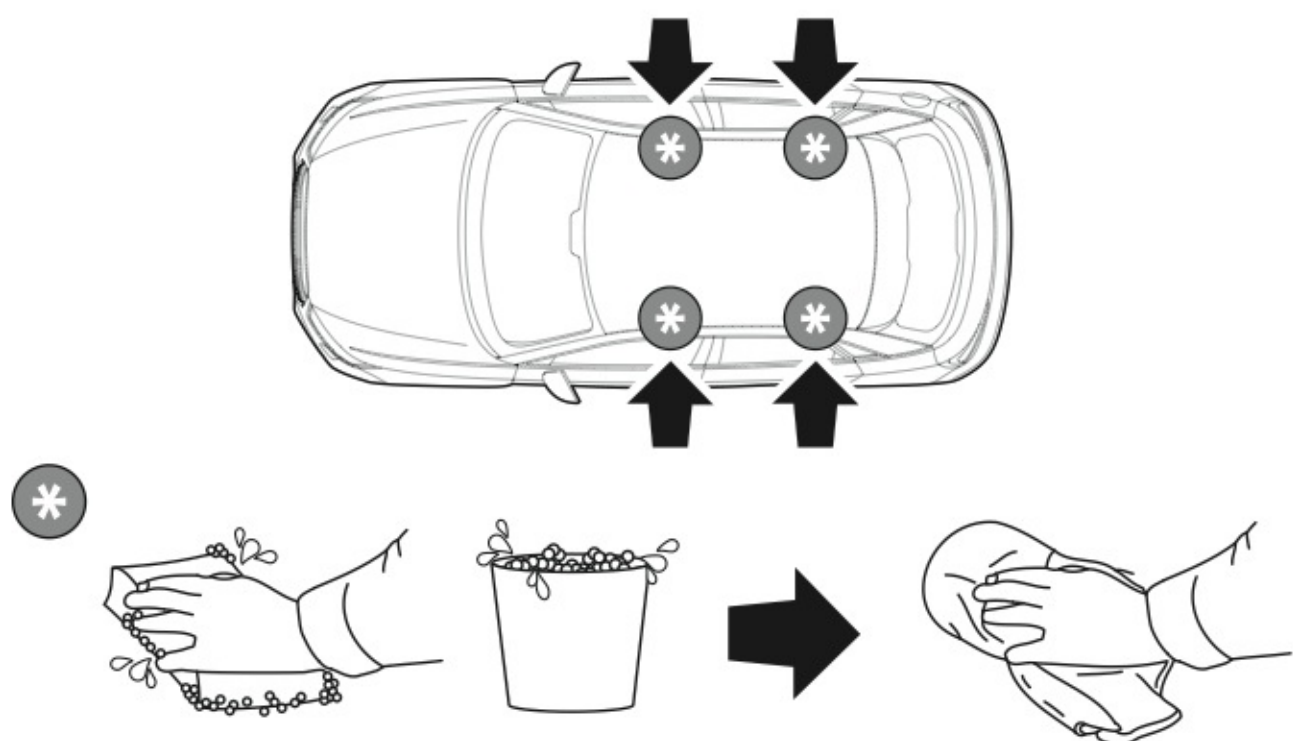
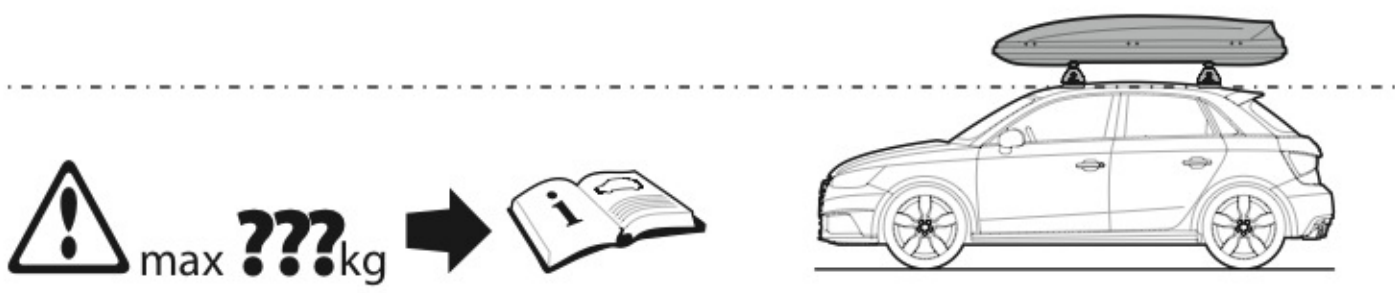
A

ALUMIA
ALLUMINIO
Aluminium

=

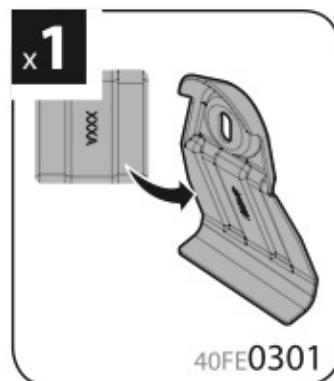
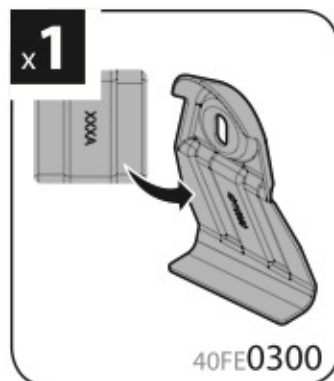
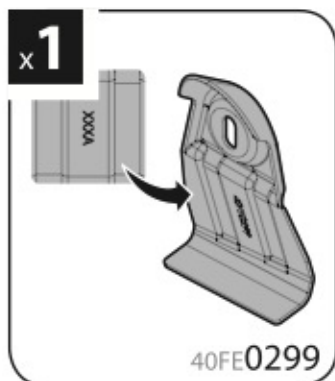
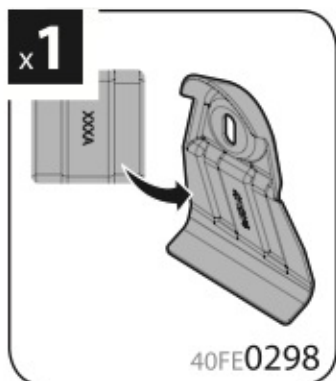
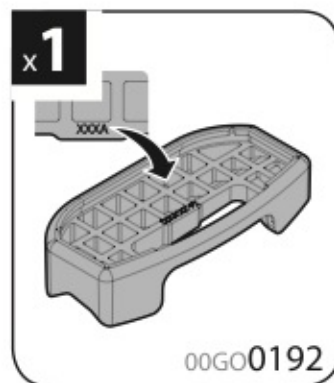
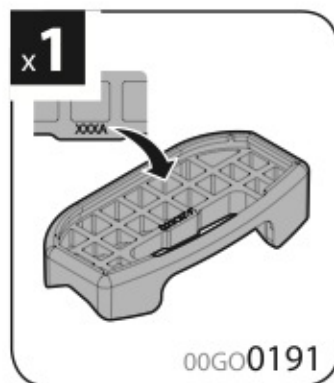
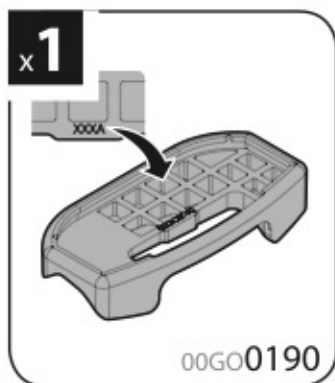


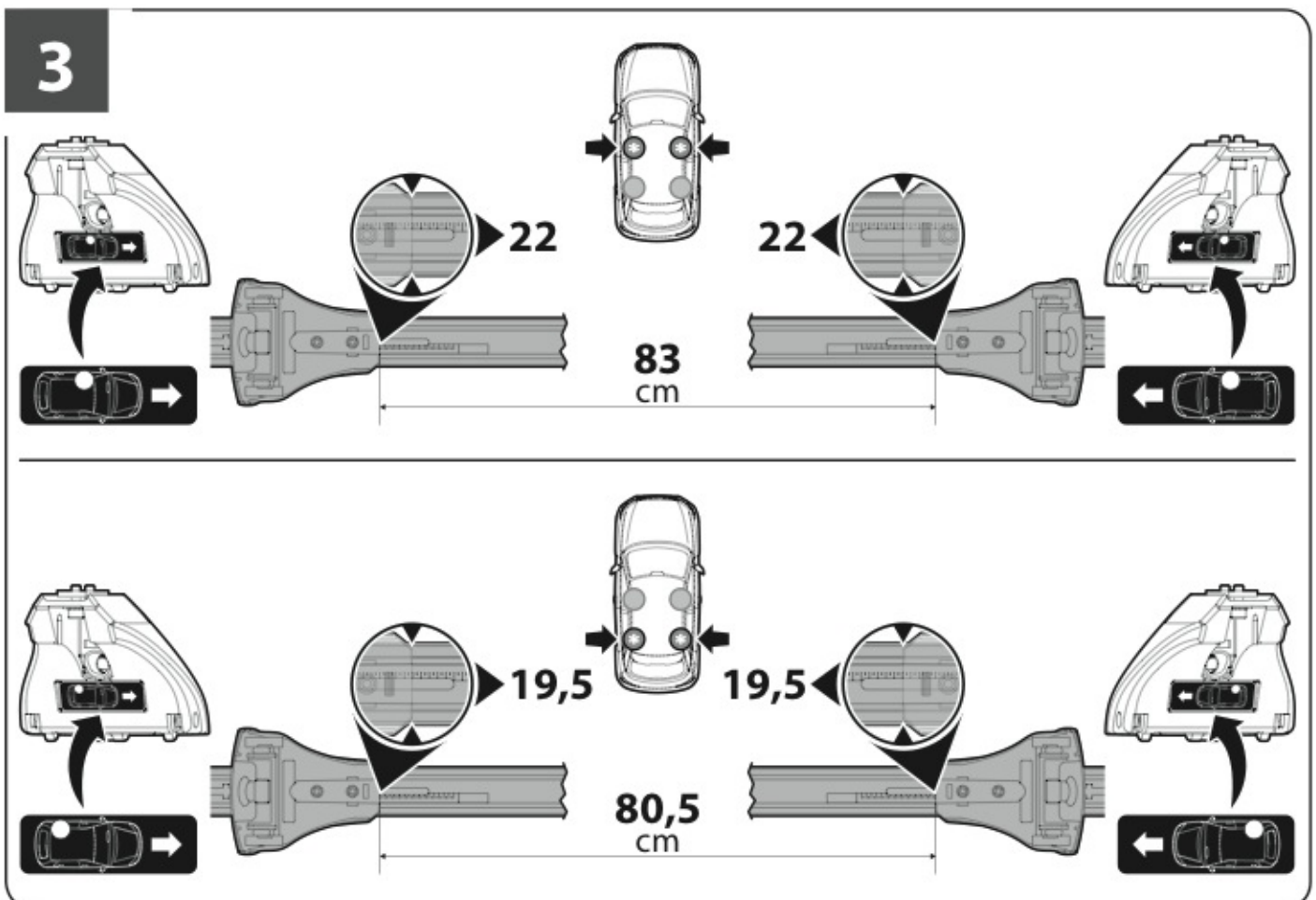
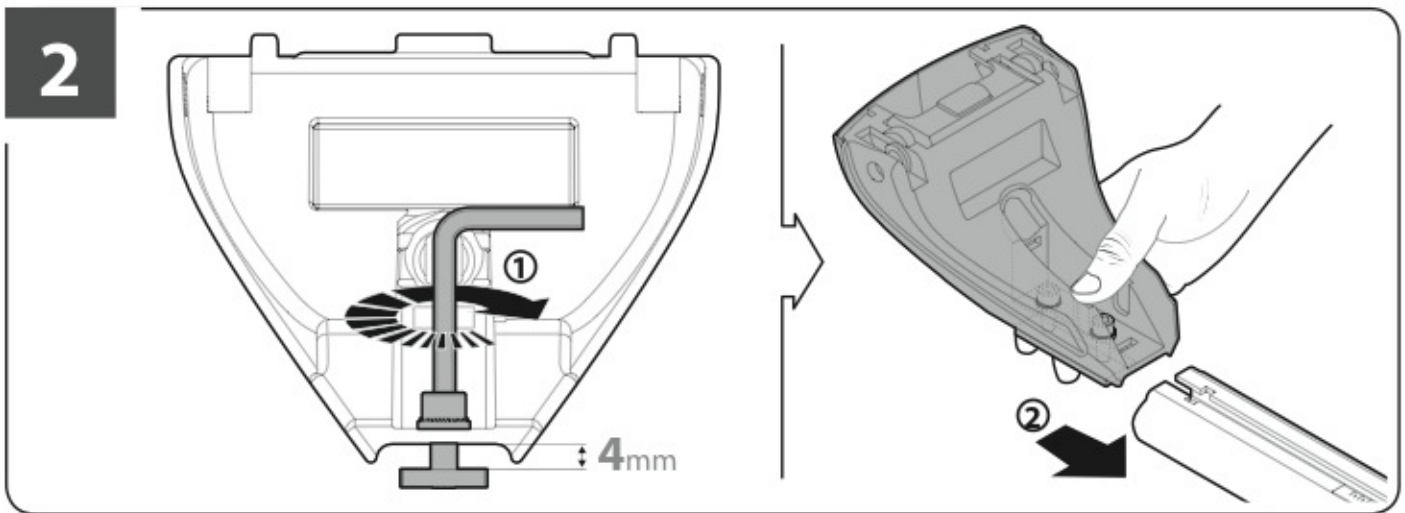
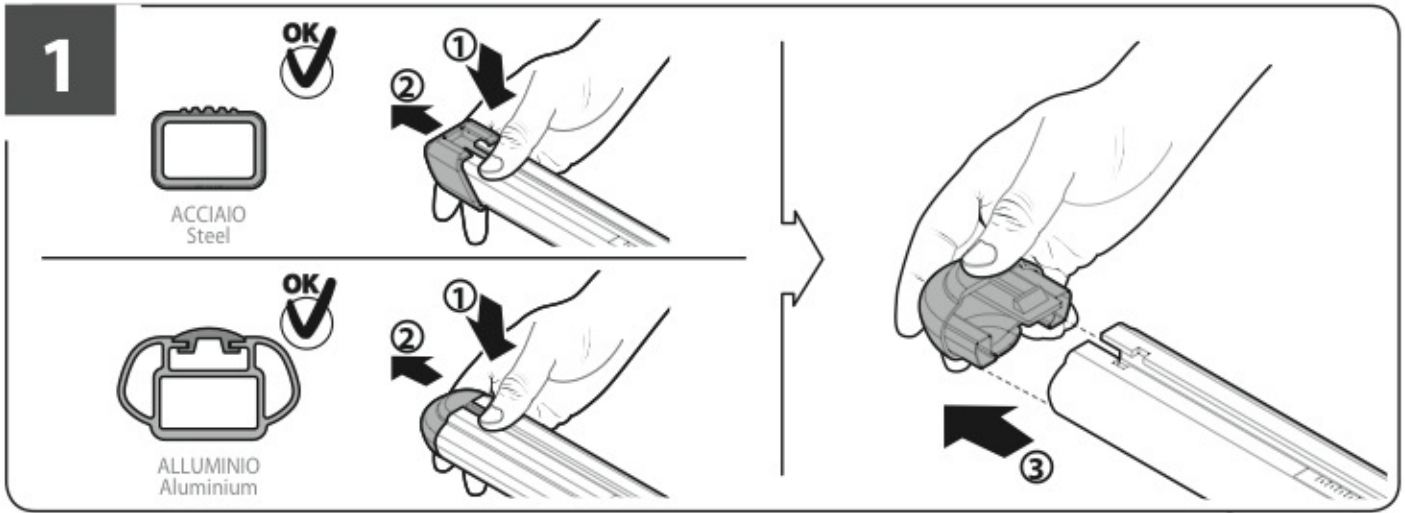
 +  +  = max kg. **50**



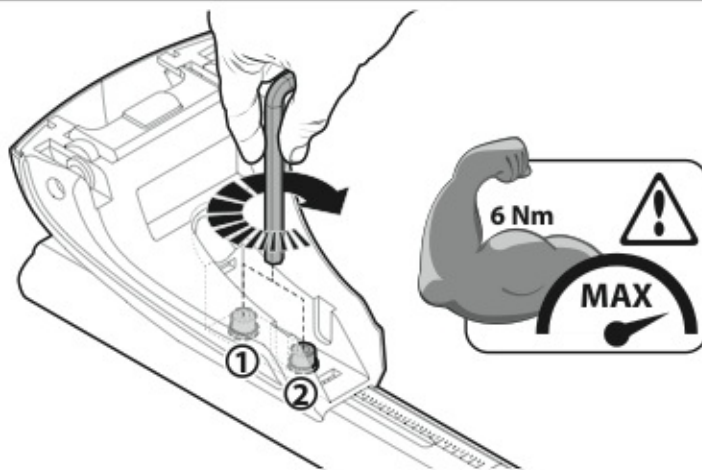


Art. **N21210**

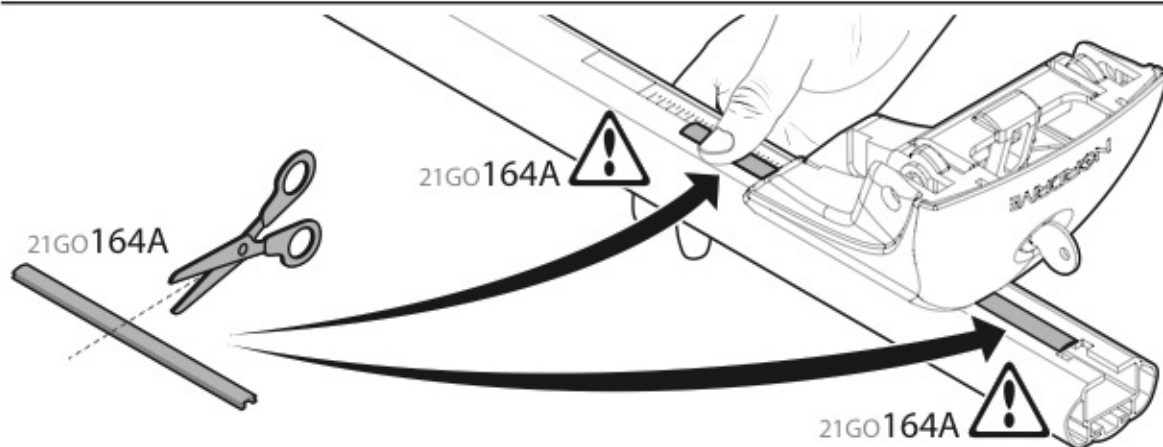




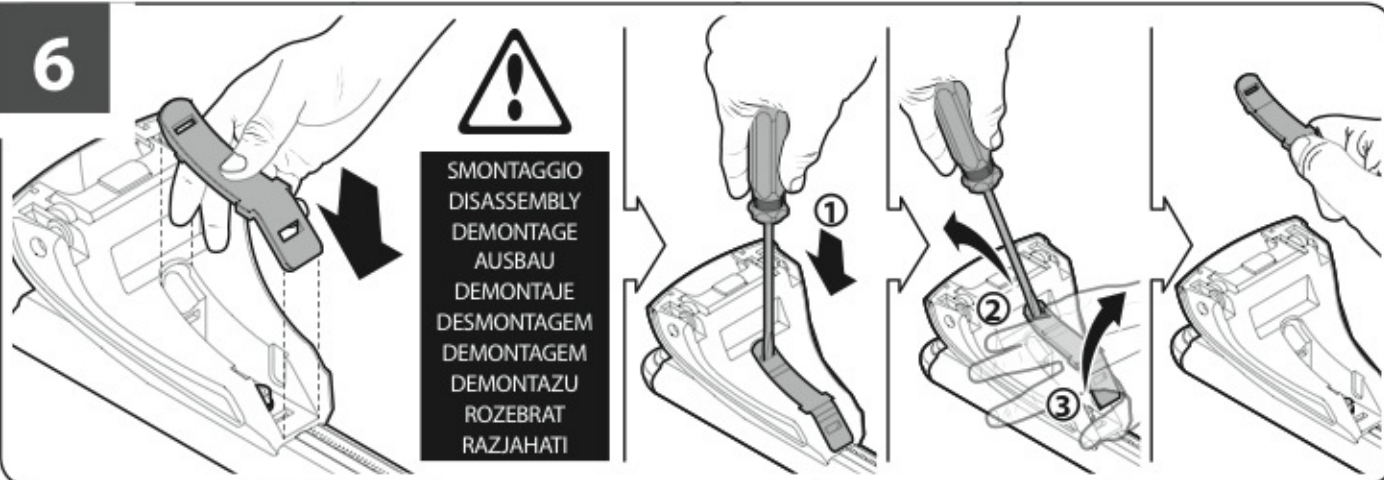
4



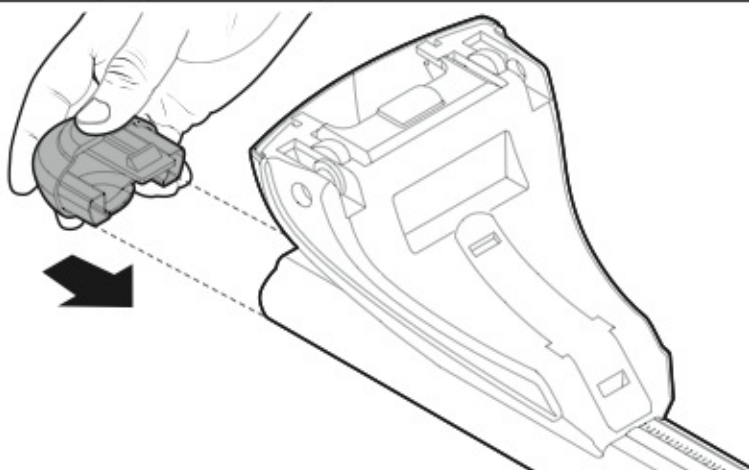
5



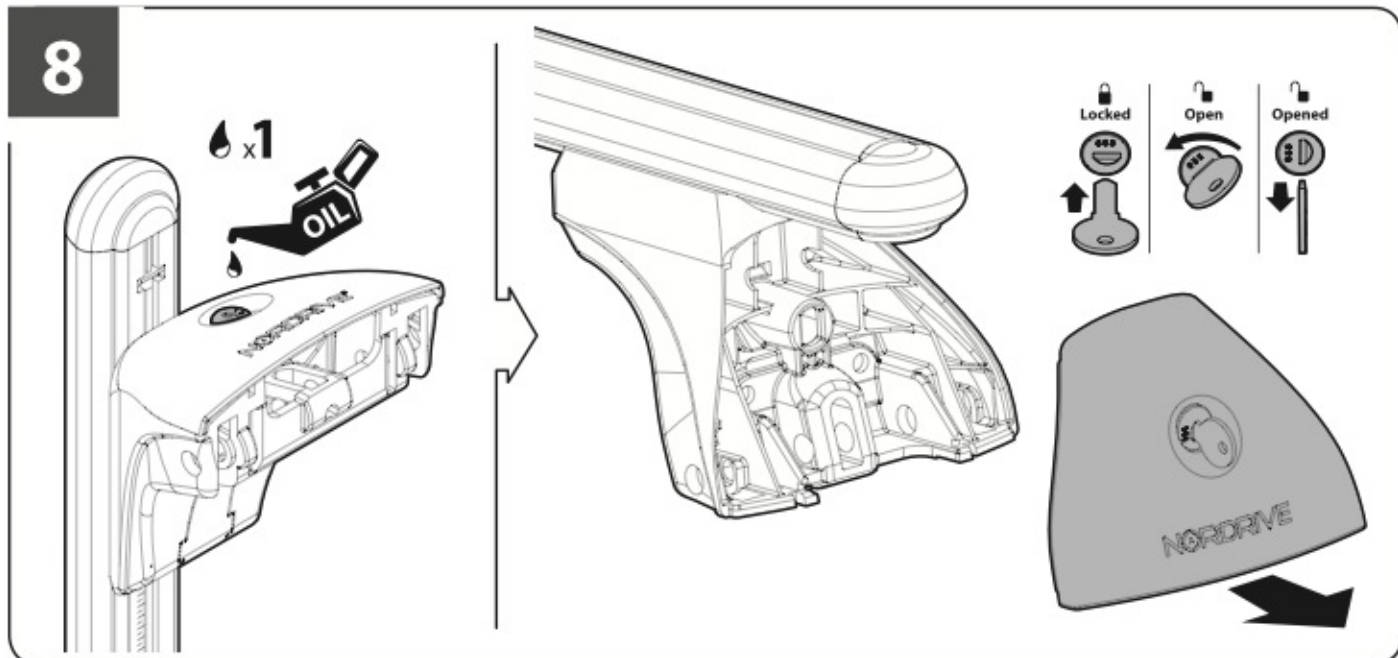
6



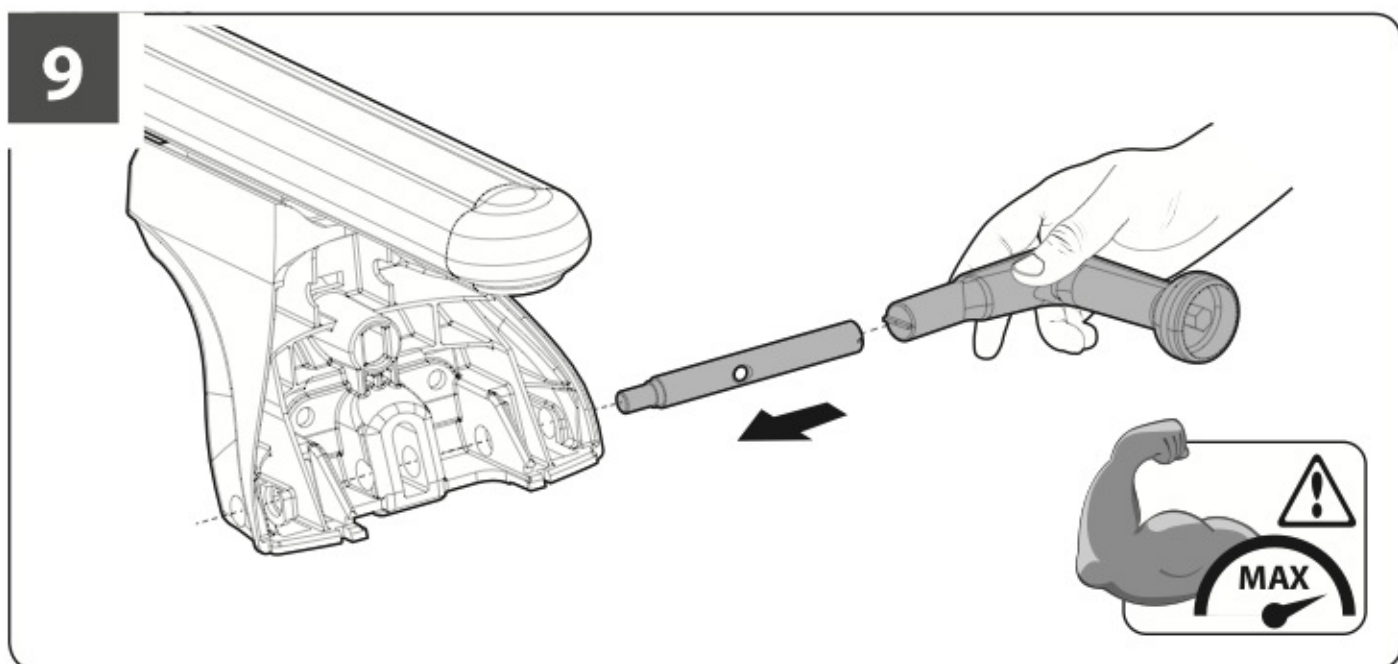
7



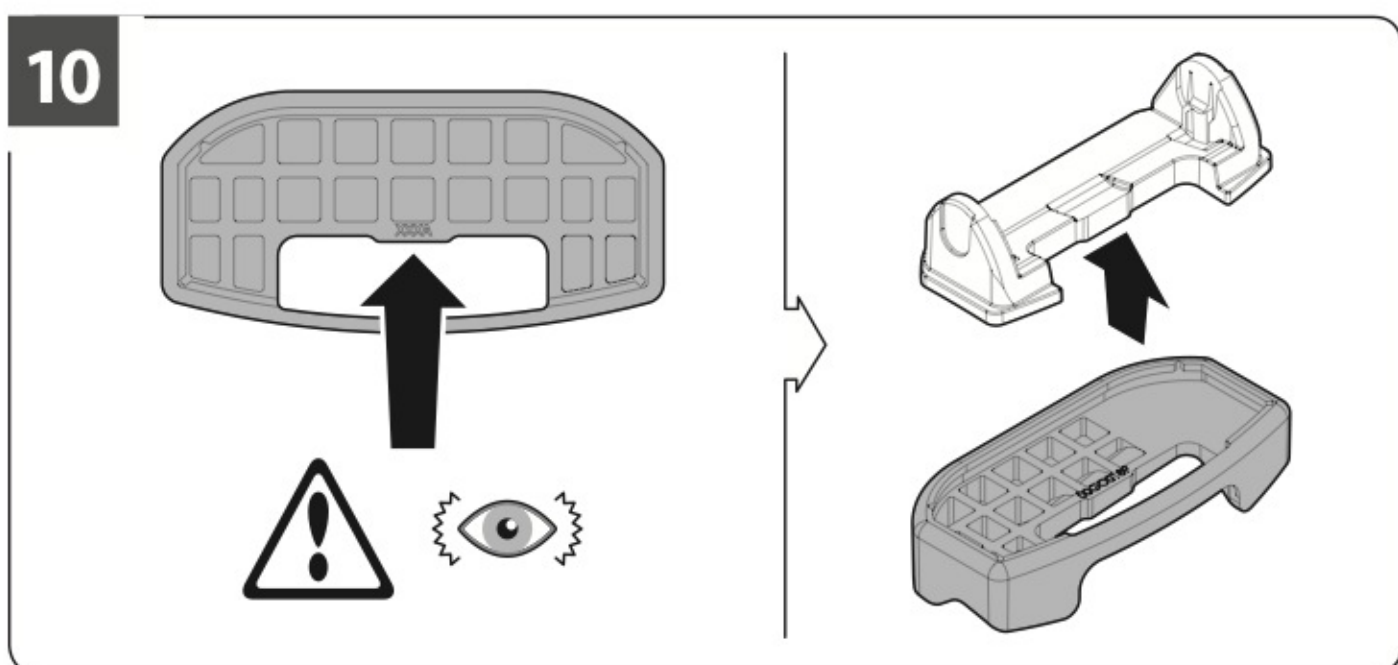
8



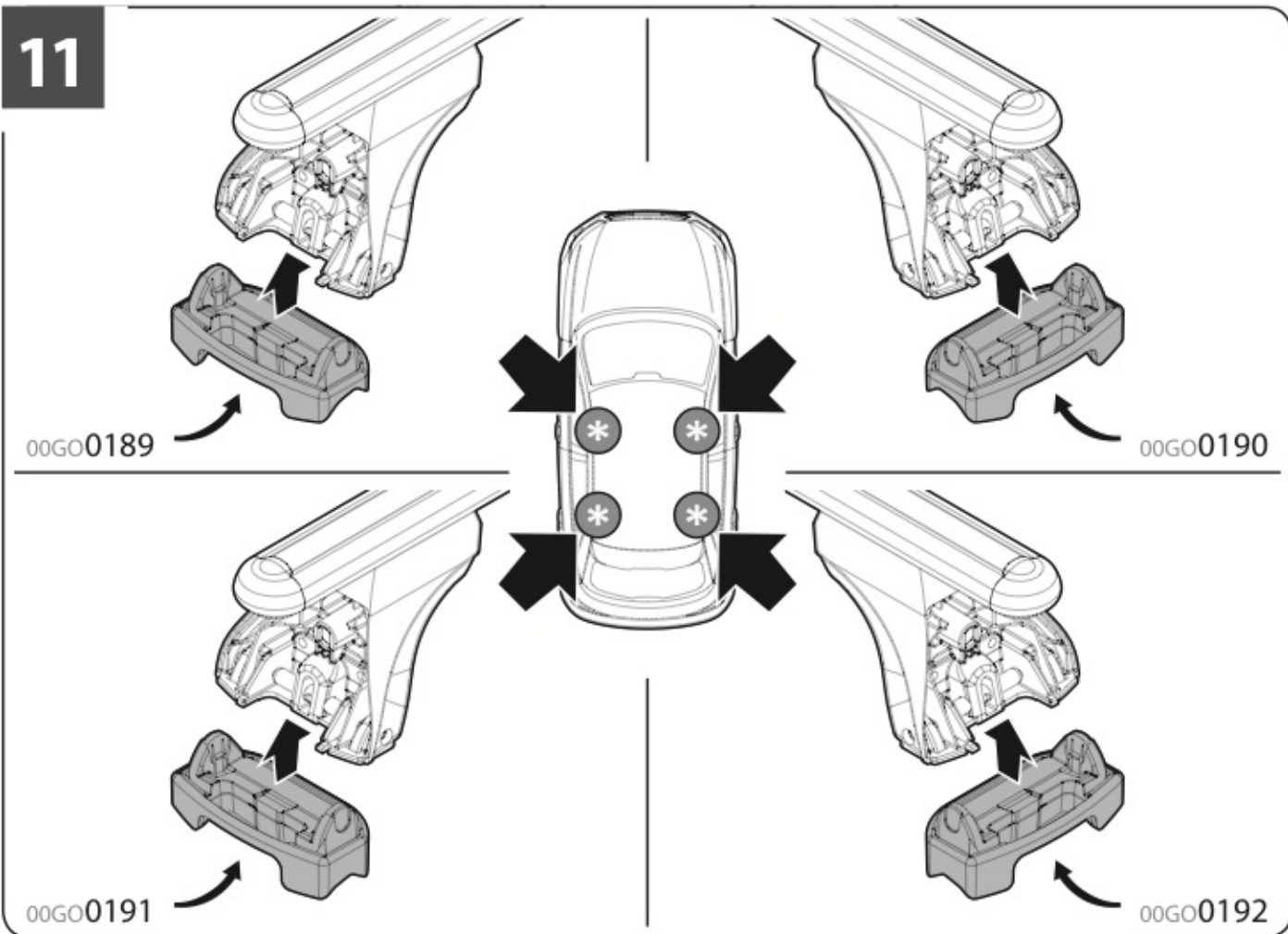
9



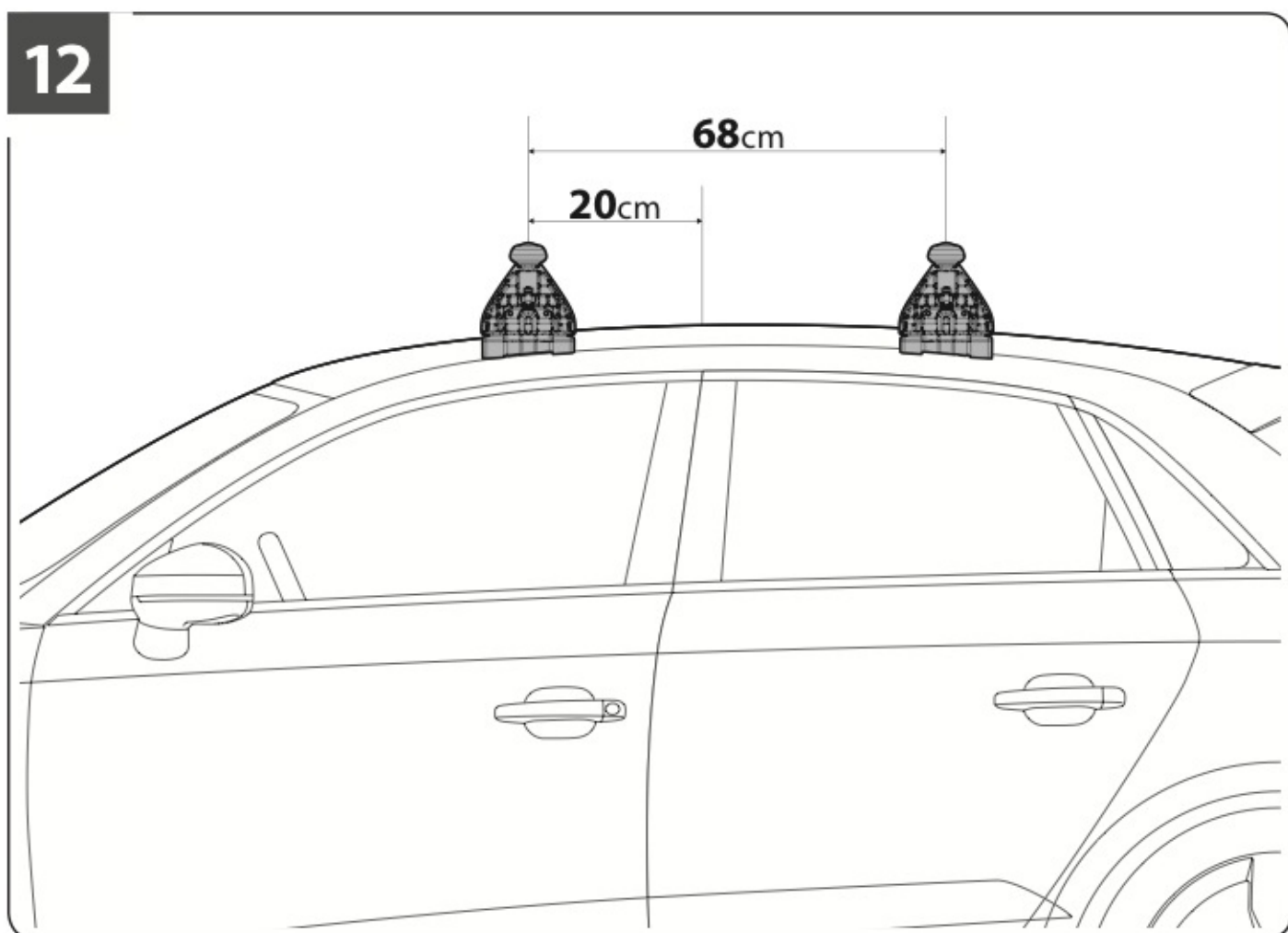
10



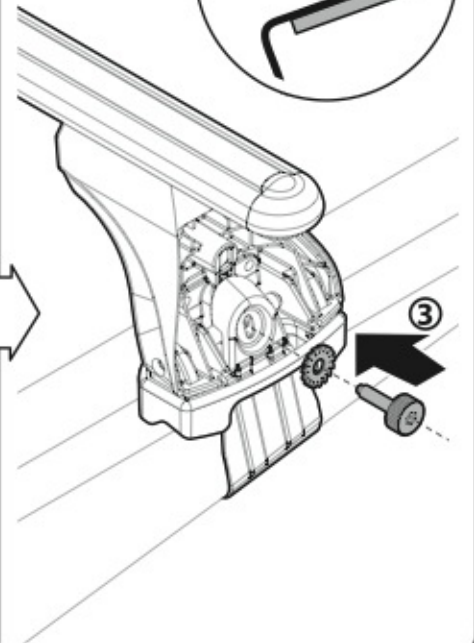
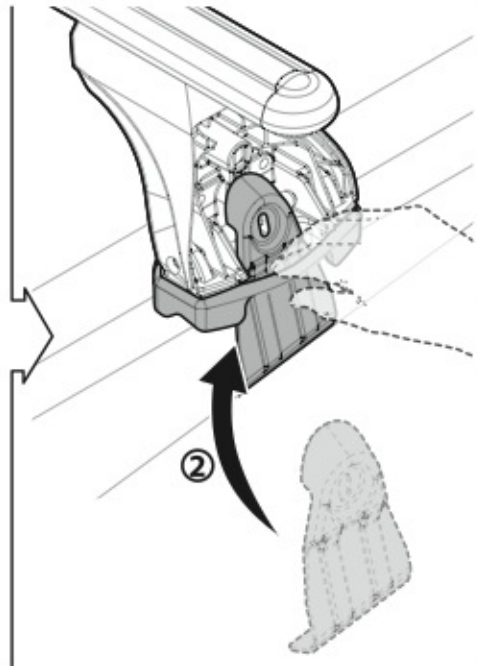
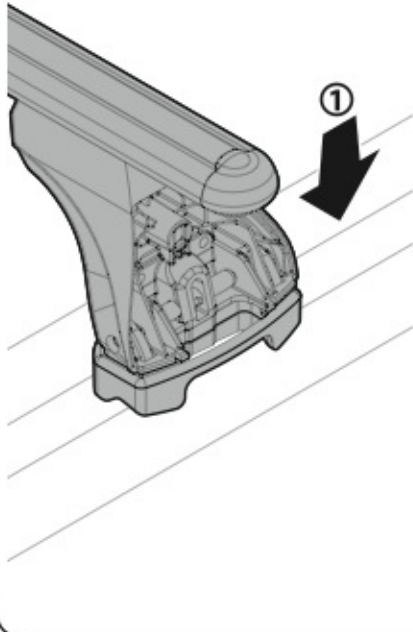
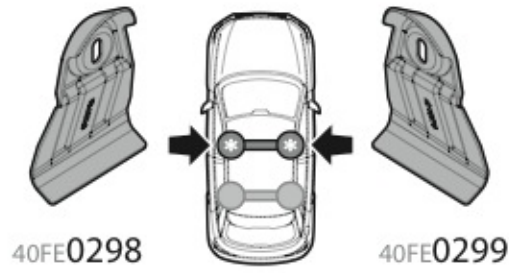
11



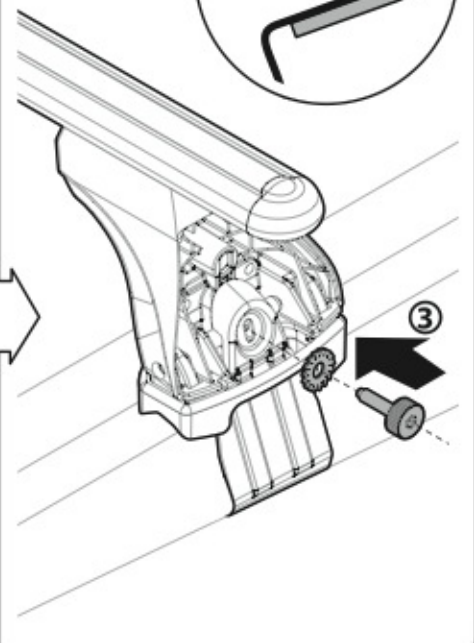
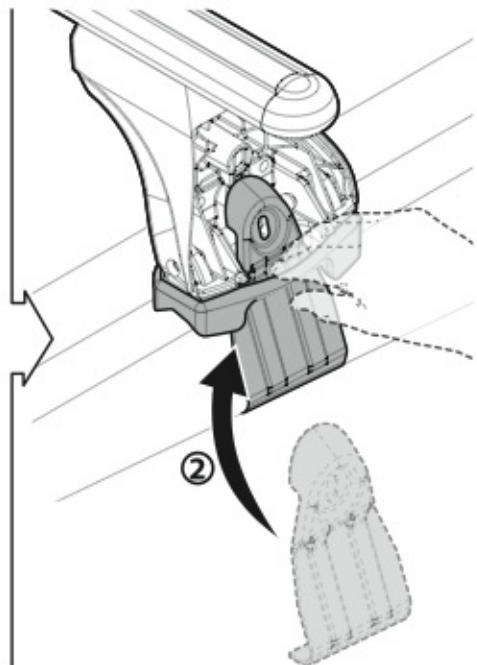
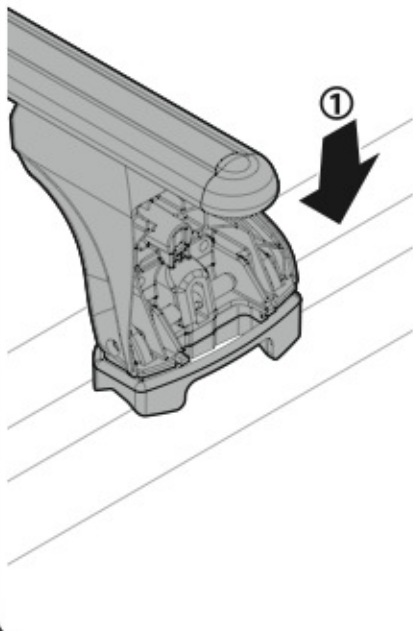
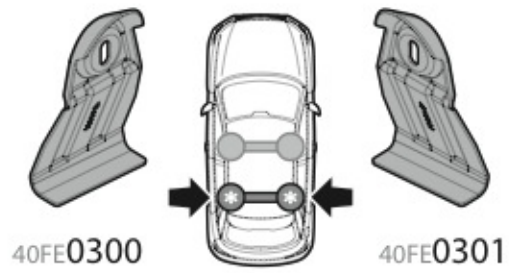
12



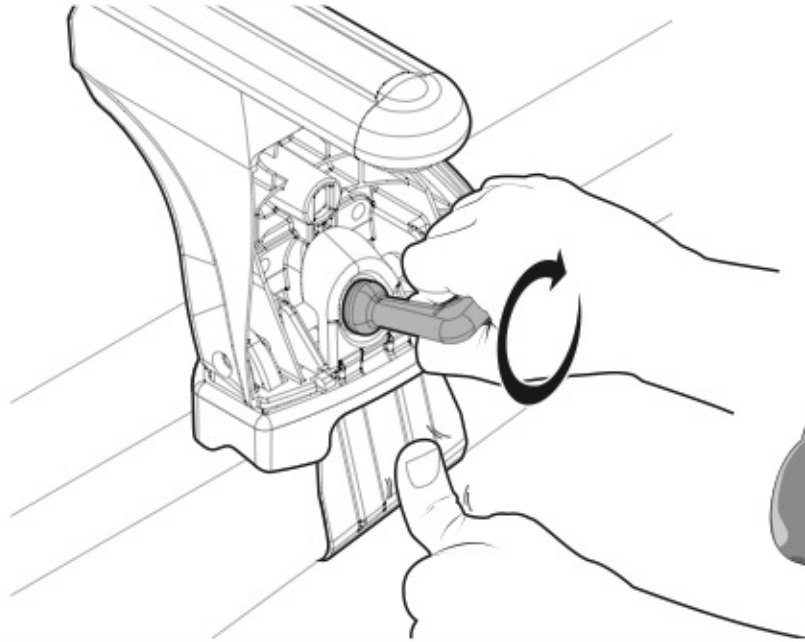
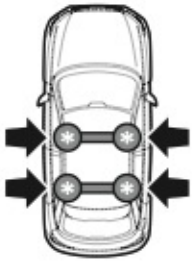
13



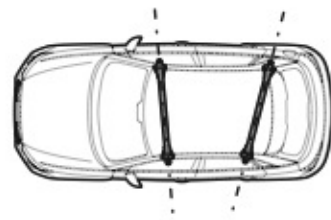
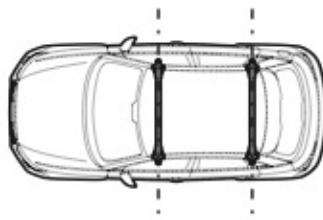
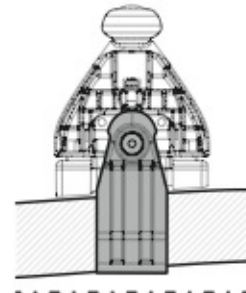
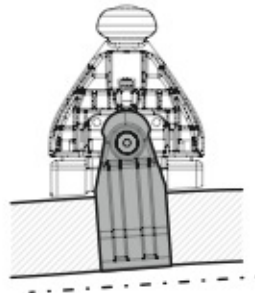
14



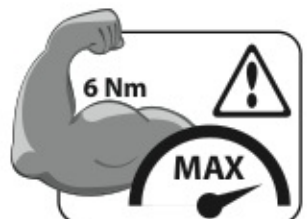
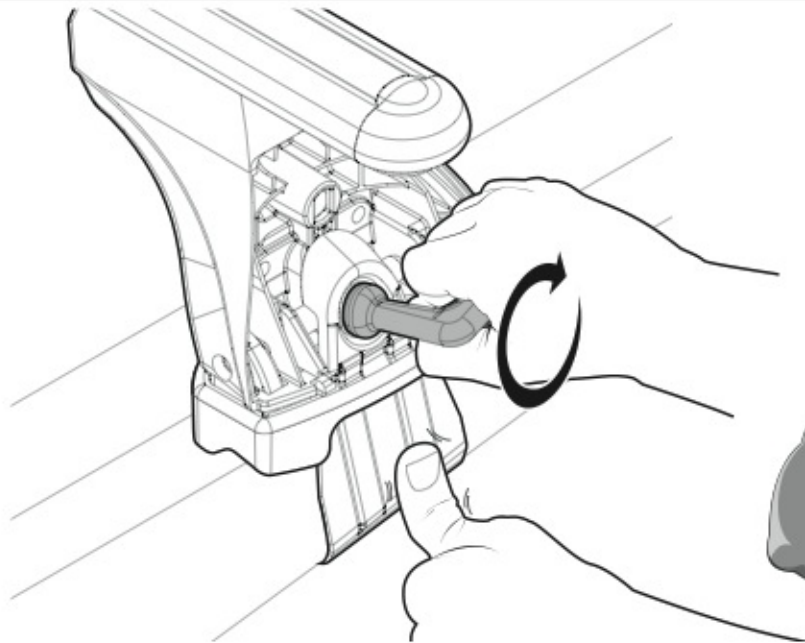
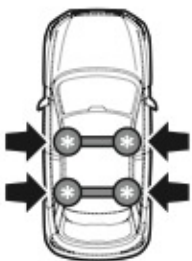
15



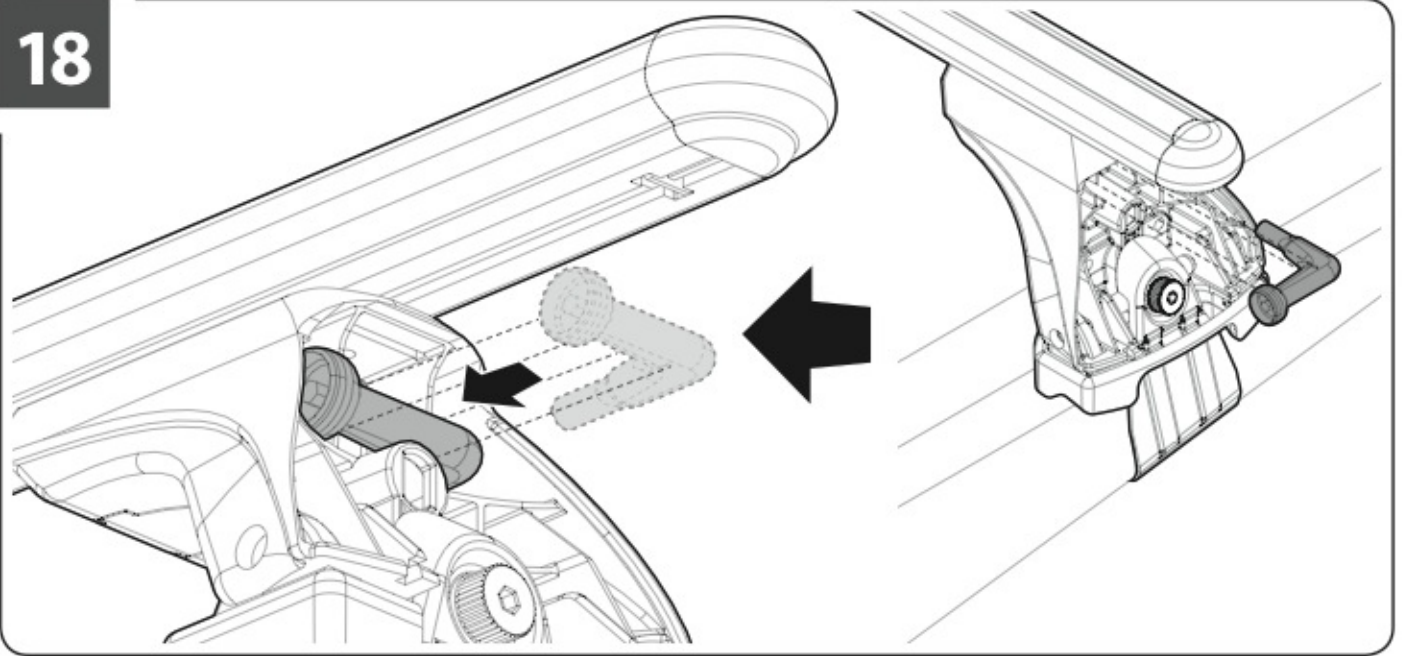
16



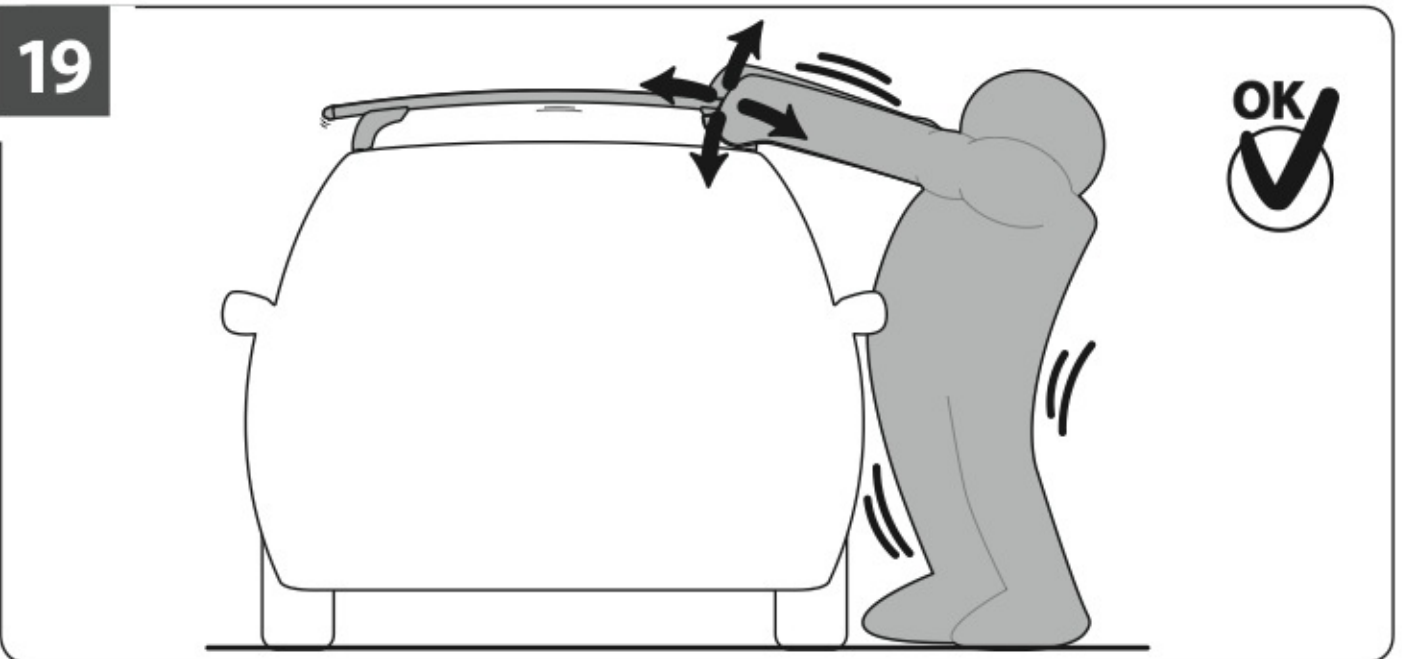
17



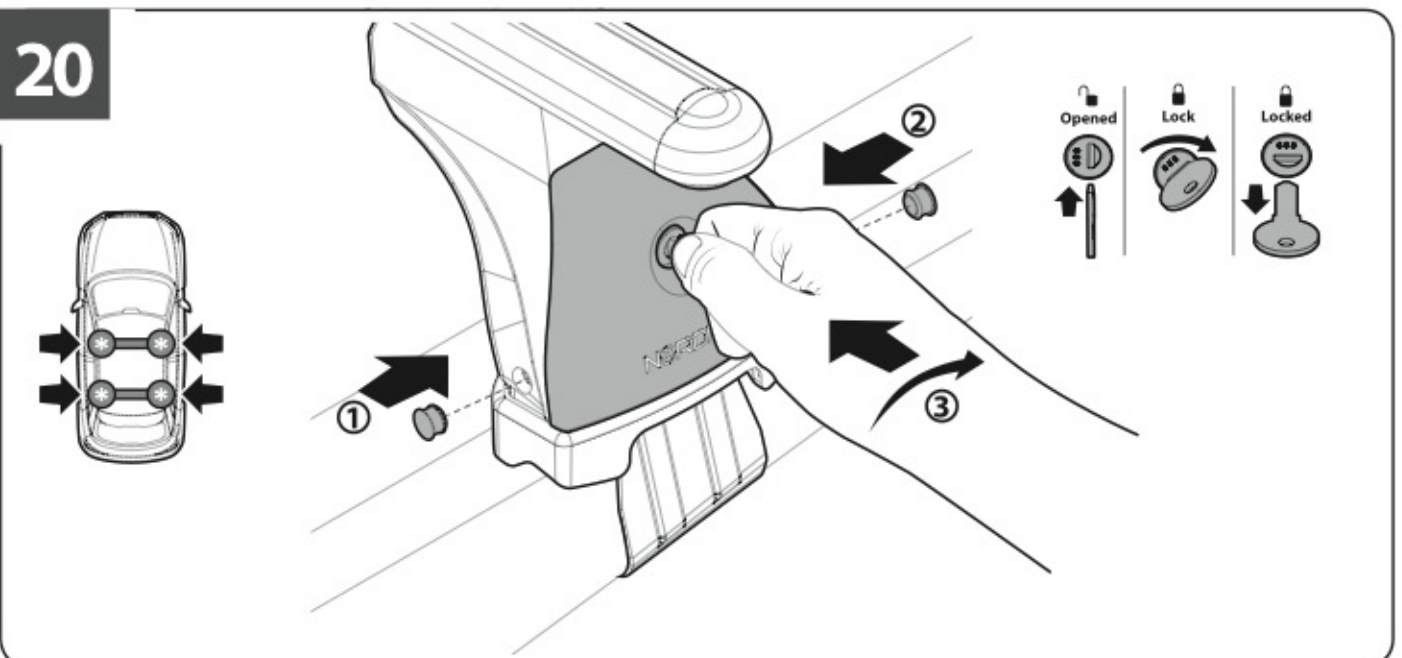
18



19



20



EVOS

NORDRIVE[®]
TRANSPORT SOLUTIONS

is a registered trade mark of

LAMPA S.p.A.

Via G. Rossa 53/55, 46019 Viadana (MN) ITALY

Tel. +39 0375 820700

UNI EN ISO 9001:2008 Certified Company

www.nordrive.it

www.lampa.it